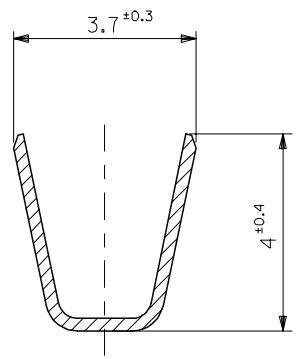


SECT.A-A



SECT.B-B

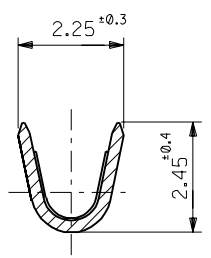
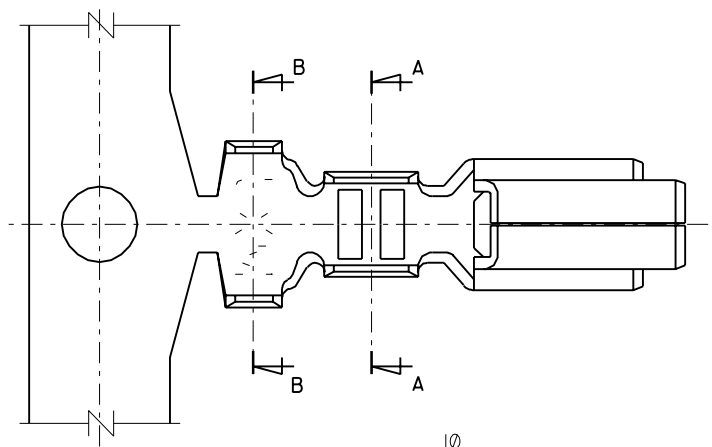
注記 NOTES

- 1. 適合ハウジング : 51144-\*\*00  
APPLICABLE HOUSING : 51144-\*\*00

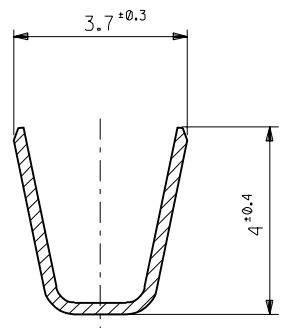
リン青銅，錫メッキ PHOS. BRO. PRE-TINNED (t=0.254)	50539-8100	バラ状 Loose
	50539-8000	連鎖状 CHAIN
黄銅，錫メッキ BRASS PRE-TINNED (t=0.254)	50539-9101	バラ状 Loose
	50539-9001	連鎖状 CHAIN
材 料 MATERIAL	MATERIAL NO.	端子形状 FORM

REVISED EC NO: J2005-4778 DRAWN: NABEI 2004/12/16 CHKD: KTOJO 2004/12/17 APPR: NUKITA 2004/12/23	GENERAL TOLERANCES (UNLESS SPECIFIED)		DIMENSION STYLE MM ONLY		SCALE ---	DESIGN UNITS METRIC	THIRD ANGLE PROJECTION	
	10 UNDER	±0.2	DRAWN BY TNIITSU	DATE '94/11/7	TITLE 3.96 WIRE TO BOARD CONN CRIMP RECEPTACLE			
	10 OVER 30 UNDER	±0.25	CHECKED BY SKUNISHI	DATE '95/07/28	APPROVED BY MFUKUSHIMA			
	30 OVER	±0.3	APPROVED BY MFUKUSHIMA		DATE '95/07/28	MOLEX MOLEX INCORPORATED		
	ANGULAR ±3 °	DRAFT WHERE APPLICABLE MUST REMAIN WITHIN DIMENSIONS		MATERIAL NO. SEE CHART		DOCUMENT NO. SD-50539-****	SHEET NO. 1 OF 1	
B	THIS DRAWING CONTAINS INFORMATION THAT IS PROPRIETARY TO MOLEX INCORPORATED AND SHOULD NOT BE USED WITHOUT WRITTEN PERMISSION							

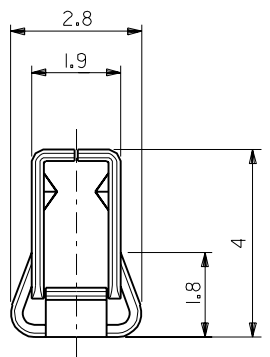
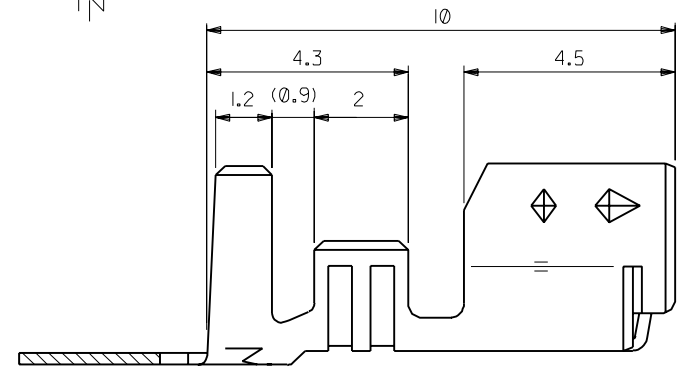
DWG. NO. SD-50539-\*\*\*\*  
 DIMENSIONS IN METRIC DO NOT SCALE DRAWING



SECT.A-A

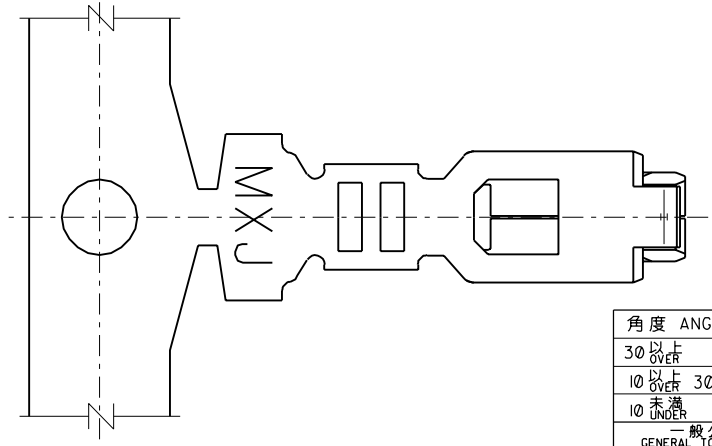


SECT.B-B



注記 NOTES

- 1. 適合ハウジング: 51129-\*\*\*00  
51144-\*\*\*00
- APPLICABLE HOUSING: 51129-\*\*\*00  
51144-\*\*\*00



リン青銅, 錫メッキ PHOS. BRO. PRE-TINNED (t=0.254)	50539-8100	バラ状 LOOSE
	50539-8000	連鎖状 CHAIN
黄銅, 錫メッキ BRASS PRE-TINNED (t=0.254)	50539-9101	バラ状 LOOSE
	50539-9001	連鎖状 CHAIN
材 料 MATERIAL	ENG. NO.	端子形状 FORM

角度 ANGLE	±3°							材料 MATERIAL	—
30以上 OVER	+0.3							仕上げ FINISH	—
10以上 30未満 OVER UNDER	+0.25	A	変更 REVISED	(JC60058)	1995/7/27			適用電線範囲 WIRE RANGE	AWG#18~#24
10未満 UNDER	+0.2	0	新規作成 RELEASED	(J40887)	1994/11/7			被覆外径 INS. RANGE	φ1.4 ~ φ3.0
一般公差 GENERAL TOLERANCES		記号 LTR	変更内容 REVISION RECORD	DR.	日付 DATE	CHK'D		APP'D BY	'95/7/28
								CHK'D BY	'95/7/28
								尺 度 SCALE	—
								DR.	M.FUKUSHIMA

MOLEX-JAPAN CO.,LTD. 日本モレックス株式会社	REVISE ONLY ON CAD SYSTEM
	TITLE 名称
3.96 WIRE TO BOARD CONN. CRIMP RECEPTACLE	
DWG. NO.	REV
SD-50539-****	A